

ALUMINUM ELECTROLYTIC CAPACITOR

Suntan®

DISCONTINUED

TS13D CD50S

FEATURES

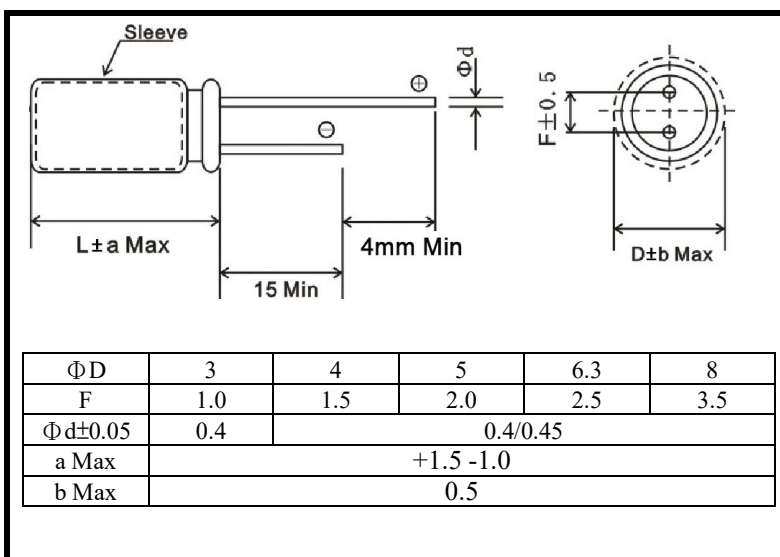
- Load life of 1000 hours at 85°C
- 5mm height
- VTR, digital cameras car radios, micro cassette tape recorder ect.



◆ Specifications

I T E M S	P E R F O R M A N C E	C H A R A C T E R I S T I C S																																
Operating Temperature Range (°C)	-40~+85																																	
Capacitance Tolerance (20°C, 120Hz)	±20%																																	
Leakage Current (μA)	0.01CV or 3 whichever is greater. (at 20°C, after 2 minutes) C: Nominal Capacitance (μF) V: Rated Voltage (V)																																	
Dissipation Factor (20°C, 120Hz)	<table border="1"> <thead> <tr> <th>Raged Voltage (V)</th> <th>4</th> <th>6.3</th> <th>10</th> <th>16</th> <th>25</th> <th>35</th> <th>50</th> </tr> </thead> <tbody> <tr> <td rowspan="2">Tan δ</td> <td>Φ3-Φ6.3</td> <td>0.35</td> <td>0.24</td> <td>0.20</td> <td>0.16</td> <td>0.14</td> <td>0.12</td> <td>0.10</td> </tr> <tr> <td>Φ8</td> <td>0.39</td> <td>0.28</td> <td>0.24</td> <td>0.16</td> <td>0.14</td> <td>0.12</td> <td>0.10</td> </tr> </tbody> </table>								Raged Voltage (V)	4	6.3	10	16	25	35	50	Tan δ	Φ3-Φ6.3	0.35	0.24	0.20	0.16	0.14	0.12	0.10	Φ8	0.39	0.28	0.24	0.16	0.14	0.12	0.10	
	Raged Voltage (V)	4	6.3	10	16	25	35	50																										
Tan δ	Φ3-Φ6.3	0.35	0.24	0.20	0.16	0.14	0.12	0.10																										
	Φ8	0.39	0.28	0.24	0.16	0.14	0.12	0.10																										
Temperature Stability (120Hz)	<table border="1"> <thead> <tr> <th colspan="2">Rated Voltage (V)</th> <th>4</th> <th>6.3</th> <th>10</th> <th>16</th> <th>25</th> <th>35</th> <th>50</th> </tr> </thead> <tbody> <tr> <td rowspan="2">Impedance Ratio</td> <td>Z-25°C/Z+20°C</td> <td>6</td> <td>4</td> <td>3</td> <td colspan="4">2</td> </tr> <tr> <td>Z-40°C/Z+20°C</td> <td>16</td> <td>10</td> <td>8</td> <td>6</td> <td colspan="3">4</td> </tr> </tbody> </table>								Rated Voltage (V)		4	6.3	10	16	25	35	50	Impedance Ratio	Z-25°C/Z+20°C	6	4	3	2				Z-40°C/Z+20°C	16	10	8	6	4		
	Rated Voltage (V)		4	6.3	10	16	25	35	50																									
Impedance Ratio	Z-25°C/Z+20°C	6	4	3	2																													
	Z-40°C/Z+20°C	16	10	8	6	4																												
Load Life (+85°C)	Time		1000hours																															
	Leakage Current		Not more than the specified value.																															
	Capacitance Change		Within±20% of the initial value																															
	Dissipation		Not more than 200% of the specified value.																															
Shelf Life (+85°C)	500 hours. No voltage applied After test: UR to be applied for 30 minutes, 24 to 48 hours before measurement.																																	

◆ Dimensions



◆ Multiplier for ripple current

Freq (Hz)	50,60	120	1K	10K~100□
Rated Voltage (V)				
4~16	0.80	1	1.1	1.2
25~35	0.80	1	1.5	1.7
50	0.80	1	1.6	1.9

Temperature coefficient

Temperature (°C)	+70	+85
Factor	0.35	1

TS13D CD50S

◆ STANDARD RATINGS

Cap (μ F)	4		6.3		10		16		25		35		50	
	Size(mm) Φ DXL	Ripple mArms	Size(mm) Φ DXL	Ripple mArms	Size(mm) Φ DXL	Ripple mArms	Size(mm) Φ DXL	Ripple mArms	Size(mm) Φ DXL	Ripple mArms	Size(mm) Φ DXL	Ripple mArms	Size(mm) Φ DXL	Ripple mArms
0.1	--	--	--	--	--	--	--	--	--	--	--	--	3x5	3
	--	--	--	--	--	--	--	--	--	--	--	--	4x5	3
0.22	--	--	--	--	--	--	--	--	--	--	--	--	3x5	4
	--	--	--	--	--	--	--	--	--	--	--	--	4x5	5
0.33	--	--	--	--	--	--	--	--	--	--	--	--	3x5	5
	--	--	--	--	--	--	--	--	--	--	--	--	4x5	6
0.47	--	--	--	--	--	--	--	--	--	--	--	--	3x5	6
	--	--	--	--	--	--	--	--	--	--	--	--	4x5	7
1	--	--	--	--	--	--	--	--	--	--	--	--	3x5	8
	--	--	--	--	--	--	--	--	--	--	--	--	4x5	10
2.2	--	--	--	--	--	--	--	--	--	--	3x5	11	4x5	15
	--	--	--	--	--	--	--	--	--	--	4x5	14		
3.3	--	--	--	--	--	--	--	--	3x5	13	4x5	17	4x5	18
	--	--	--	--	--	--	--	--	4x5	15				
4.7	--	--	--	--	--	--	3x5	14	4x5	18	4x5	20	5x5	25
	--	--	--	--	--	--	4x5	17						
10	--	--	4x5	17	4x5	22	4x5	25	5x5	30	5x5	30	6.3x5	40
	--	--	4x5	20										
22	3x5	21	4x5	30	4x5	35	5x5	40	6.3x5	50	6.3x5	55	8x5	75
	4x5	25												
33	4x5	30	4x5	40	4x5	45	6.3x5	60	6.3x5	65	8x5	80	8x5	90
47	4x5	35	4x5	50	4x5	65	6.3x5	70	8x5	95	--	--	--	--
100	5.5	60	5x5	85	4x5	95	8x5	125	8x5	135	--	--	--	--
220	6.3x5	105	4x5	145	4x5	155	--	--	--	--	--	--	--	--
330	8x5	150	4x5	175	--	--	--	--	--	--	--	--	--	--
470	8x5	180	--	--	--	--	--	--	--	--	--	--	--	--

Note: Specification are subject to change without notice. For more detail and update, please visit our website.