

ALUMINUM ELECTROLYTIC CAPACITOR

Suntan®

DISCONTINUED

TS13D CD11C

FEATURES

- Load life of 1000 hours at 85°C
- 7mm L standard products
- VTR, video cameras car radios, micro cassette tape recorder etc.

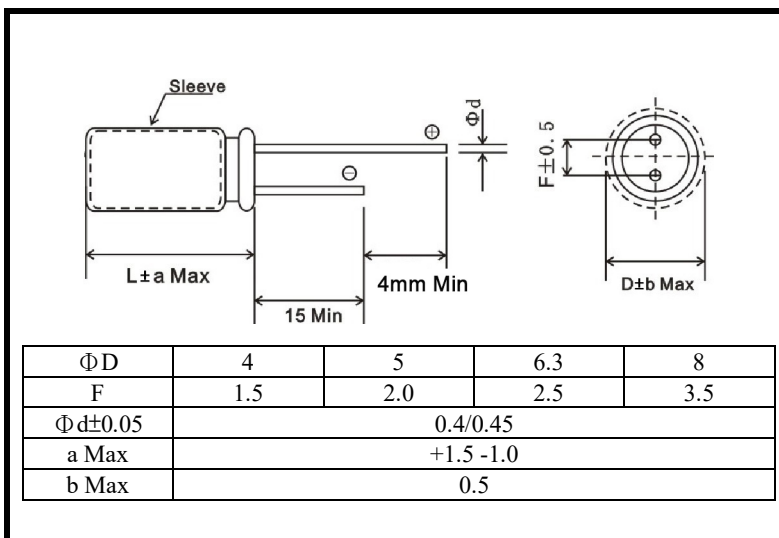


◆ Specifications

I T E M S	P E R F O R M A N C E C H A R A C T E R I S T I C S																								
Operating Temperature Range (°C)	-40~+85																								
Capacitance Tolerance (20°C, 120Hz)	±20%																								
Leakage Current (μ A)	0.01CV or 3 whichever is greater. (at 20°C, after 2 minutes) C: Nominal Capacitance (μ F) V: Rated Voltage (V)																								
Dissipation Factor (20°C, 120Hz)	<table border="1"> <tr> <td>Rated Voltage (V)</td> <td>6.3</td> <td>10</td> <td>16</td> <td>25</td> <td>35</td> <td>50</td> <td>63</td> </tr> <tr> <td>Tan δ</td> <td>0.24</td> <td>0.20</td> <td>0.16</td> <td>0.14</td> <td>0.12</td> <td>0.10</td> <td>0.10</td> </tr> </table>	Rated Voltage (V)	6.3	10	16	25	35	50	63	Tan δ	0.24	0.20	0.16	0.14	0.12	0.10	0.10								
	Rated Voltage (V)	6.3	10	16	25	35	50	63																	
Tan δ	0.24	0.20	0.16	0.14	0.12	0.10	0.10																		
Temperature Characteristics (Impedance ratio at 120Hz)	<table border="1"> <tr> <td>Rated Voltage (V)</td> <td>6.3</td> <td>10</td> <td>16</td> <td>25</td> <td>35</td> <td>50</td> <td>63</td> </tr> <tr> <td>Z-25°C/Z+20°C</td> <td>4</td> <td>3</td> <td>2</td> <td>2</td> <td>2</td> <td>2</td> <td>2</td> </tr> <tr> <td>Z-40°C/Z+20°C</td> <td>8</td> <td>6</td> <td>4</td> <td>4</td> <td>3</td> <td>3</td> <td>3</td> </tr> </table>	Rated Voltage (V)	6.3	10	16	25	35	50	63	Z-25°C/Z+20°C	4	3	2	2	2	2	2	Z-40°C/Z+20°C	8	6	4	4	3	3	3
	Rated Voltage (V)	6.3	10	16	25	35	50	63																	
	Z-25°C/Z+20°C	4	3	2	2	2	2	2																	
Z-40°C/Z+20°C	8	6	4	4	3	3	3																		
Load Life (+85°C)	After applying rated voltage for 1000 hours at +85°C and then resumed 16 hours:																								
	Capacitance Change	±25% of the initial measured value																							
	Leakage Current	≤The initial specified value																							
Shelf Life (+85°C)	After storage for 1000 hours at +85°C and then resumed 16 hours:																								
	Capacitance Change	±25% of the initial measured value																							
	Leakage Current	≤200% of the initial specified value																							
	Dissipation Factor	≤200% of the initial specified value																							

◆ Dimensions

mm



◆ Multiplier for ripple current

Frequency coefficient

Frequency (Hz)	60	120	1K	≥10K
Cap(μF)				
0.1~68	0.80	1.0	1.3	1.5
100~470	0.80	1.0	1.15	1.2

TS13D CD11C

◆ STANDARD RATINGS

Wv (V)	4		6.3		10		16		25		35		50		63		100	
Cap (μ F)	Size (mm)	Ripple	Size (mm)	Ripple	Size (mm)	Ripple	Size (mm)	Ripple	Size (mm)	Ripple	Size (mm)	Ripple	Size (mm)	Ripple	Size (mm)	Ripple	Size (mm)	Ripple
	DxL	mArms	DxL	mArms	DxL	mArms	DxL	mArms	DxL	mArms	DxL	mArms	DxL	mArms	DxL	mArms	DxL	mArms
0.1	--	--	--	--	--	--	--	--	--	--	--	--	4x7	4	4x7	4	--	--
0.22	--	--	--	--	--	--	--	--	--	--	--	--	4x7	5	4x7	6	--	--
0.33	--	--	--	--	--	--	--	--	--	--	--	--	4x7	7	4x7	7	--	--
0.47	--	--	--	--	--	--	--	--	--	--	--	--	4x7	8	4x7	8	--	--
1	--	--	--	--	--	--	--	--	--	--	--	--	4x7	10	4x7	10	4x7	12
2.2	--	--	--	--	--	--	--	--	--	--	--	--	4x7	15	4x7	15	5x7	20
3.3	--	--	--	--	--	--	--	--	4x7	15	4x7	15	4x7	20	4x7	23	6.3x7	30
4.7	--	--	--	--	--	--	--	--	4x7	20	4x7	20	4x7	24	5x7	30	6.3x7	
10	--	--	--	--	--	--	4x7	35	4x7	30	4x7	30	5x7	40	6.3x7	50	--	--
22	--	--	4x7	35	4x7	35	4x7	40	5x7	50	5x7	55	6.3x7	70	--	--	--	--
33	4x7	35	4x7	40	4x7	45	5x7	55	6.3x7	70	6.3x7	75	8x7	100	--	--	--	--
47	4x7	40	4x7	50	4x7	51	5x7	70	6.3x7	85	8x7	110	--	--	--	--	--	--
100	5x7	70	5x7	80	6.3x7	108	6.3x7	120	8x7	145	--	--	--	--	--	--	--	--
220	6.3x7	120	6.3x7	140	8x7	185	8x7	205	--	--	--	--	--	--	--	--	--	--
330	8x7	170	7x7	205	--	--	--	--	--	--	--	--	--	--	--	--	--	--

Note: Specification are subject to change without notice. For more detail and update, please visit our website.