

ALUMINUM ELECTROLYTIC CAPACITOR

5MM HEIGHT NON POLARIZE

Suntan®

DISCONTINUED

TS13D CD50BP

FEATURES

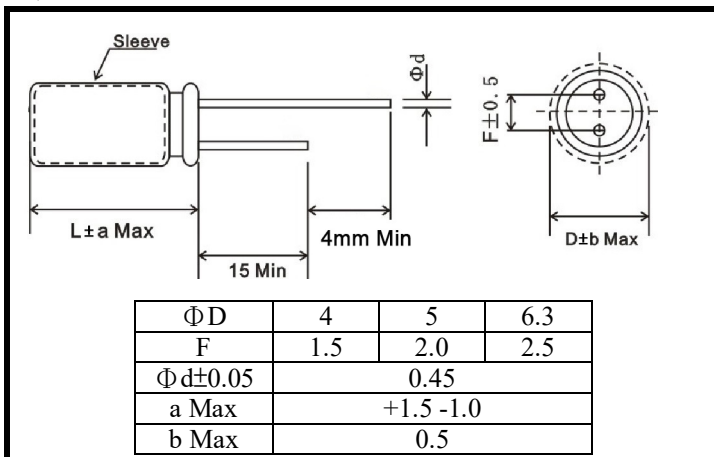
- Load life of 1000 hours at 85°C
- Bi-polar
- 5mm height



◆ Specifications

ITEMS		PERFORMANCE CHARACTERISTICS					
Temperature Range(°C)		-40~+85					
Leakage Current(μA)		Less than 0.03CV+3(25°C, after 5 minutes) C: Capacitance(μF), V: Voltage(V)					
Capacitance Tolerance (25°C, 120Hz)		20%					
Dissipation Factor (25°C, 120Hz)	Rated Voltage(V)	6.3	10	16	25	35	50
	Tan δ	Φ4	0.35	0.30	0.25	0.20	0.20
		Φ5,6.3	0.30	0.25	0.20	0.15	0.15
Load Life (+85°C)	Time	1000 hours (with the polarity inverted every 250hrs)					
	Leakage current	Initial specified value or less					
	Capacitance Change	Within±20% of initial value					
	Dissipation	200% or less of initial specified value					

◆ Dimensions



◆ Multiplier for ripple current

Frequency coefficient

Rated voltage(v)	Freq(Hz)			
	50,60	120	1K	10K~100K
6.3~16	0.80	1	1.1	1.2
25~35	0.80	1	1.5	1.7
50	0.80	1	1.6	1.9

Temperature coefficient

Temperature (°C)	+70 or less	+85
Factor	1.35	1

◆ Standard ratings

WV(v)	6.3		10		16		25		35		50	
	Size(mm)	Ripple mArms	Size(mm)	Ripple mArms	Size(mm)	Ripple mArms	Size(mm)	Ripple mArms	Size(mm)	Ripple mArms	Size(mm)	Ripple mArms
0.1	--	--	--	--	--	--	--	--	--	--	4x5	2
0.22	--	--	--	--	--	--	--	--	--	--	4x5	3
0.33	--	--	--	--	--	--	--	--	--	--	4x5	4
0.47	--	--	--	--	--	--	--	--	--	--	4x5	5
1	--	--	--	--	--	--	--	--	--	--	4x5	7
2.2	--	--	--	--	--	--	--	--	4x5	11	5x5	14
3.3	--	--	--	--	--	--	4x5	13	5x5	17	6.3x5	20
4.7	--	--	--	--	4x5	14	5x5	21	6.3x5	24	6.3x5	24
10	--	--	4x5	18	5x5	26	6.3x5	35	6.3x5	35	--	--
22	5x5	31	6.3x5	40	6.3x5	45	--	--	--	--	--	--
33	6.3x5	45	6.3x5	49	--	--	--	--	--	--	--	--
47	6.3x5	54	6.3x5	59	--	--	--	--	--	--	--	--

Ripple Current: 85°C, 120Hz

Note: Specification are subject to change without notice. For more detail and update, please visit our website.