

TS2507

FEATURES

- Tantalum case, Hermetically Sealed, Cylindrical, Radial-lead, Heteropolarity, with 3 screws 120° angle structure convenient to fix.
- Commingled by Electrolytic Tantalum Capacitor and Electrochemical Capacitor, Small size, Super Capacitance
- Stable in Electrical Performances, High Reliability, Long life-span, Maximum in the Density of Capacitance and Energy, Nominal Capacitance is higher than TS2504 series.
- Built-in as battery in Energy-converted-circuit & Power-pulsed-circuit, functioned as filtering, storage energy, time-delay circuit.

SPECIFICATIONS

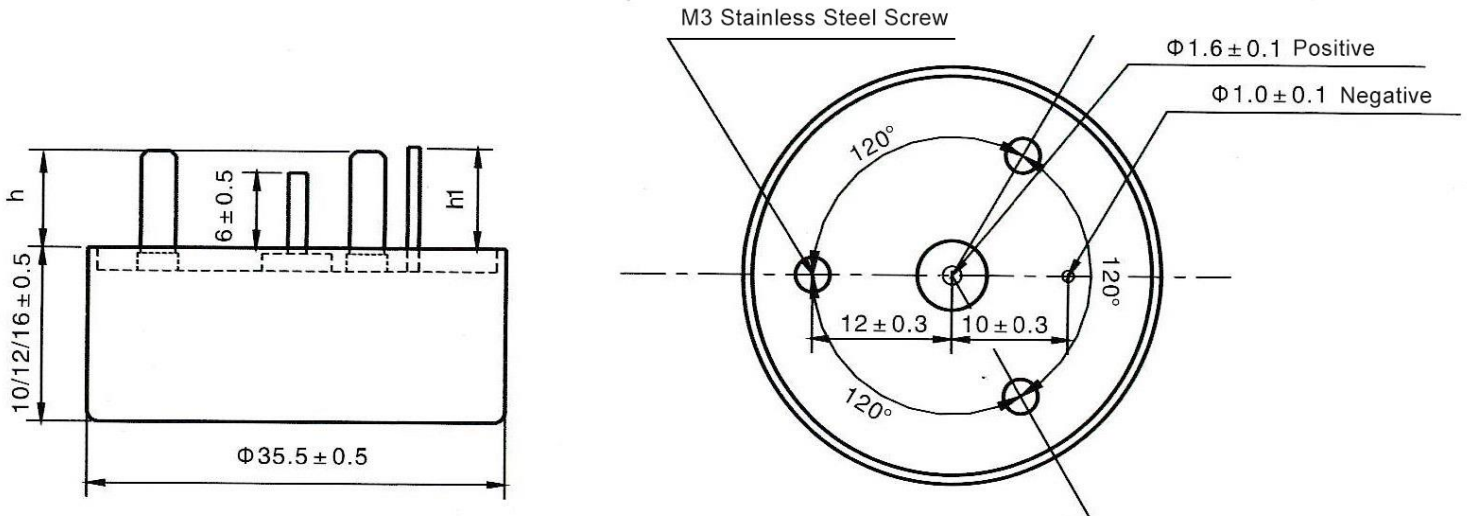
Operating Temperature	-55°C to +125°C (to +125°C, with rated voltage derating)
Storage Temperature	-62°C ~ +130°C
Capacitance Tolerance	Q:(-10%~+30%), K:(±10%), M:(±20%)



Electrical Characteristics

Rated Voltage (V)	Category Voltage (V)	Surge Voltage (V)	Cap. (µF)	tgδ (%)	ESR (Ω) 1kHz	DCL (µA)		Impedance at (Ω) 100Hz	Capacitance Change at (%)		Dimensions		
						25°C	85°C		-55°C	-55°C	+85°C	DxH (mm)	h (mm)
50	30	55	24000	70	0.035	400	2400	1.2	-55	+135	35.5x16	8±0.5	6±0.5
75	45	82.5	3000	20	0.06	200	1200	1.6	-15	+30	35.5x10	8±0.5	12min
75	45	82.5	10000	40	0.06	500	3000	1.6	-45	+95	35.5x16	8±0.5	14±0.5
80	40	88	5600	40	0.06	500	3000	1.6	-40	+90	35.5x12	6±0.5	6±0.5

Dimensions(Unit:mm)



- Note:
1. Please do not use multimeter through the measuring procedures (may cause irreversible damage and lead to discard).
 2. Capacitance and DF measured at 100Hz, $U_{-}=2.20^{0}_{-1.0}V$, $U_{+}=1.0^{0}_{-0.5}V$ Test only applied in series equivalent circuit.
 3. Voltage derating is applied at +125°C. (The DCL parameter should be read after 5 minutes when it connected to the circuit).
 4. Special size and demand could consult with us.