

TS2513

FEATURES

- Tantalum case, Hermetically Sealed, Cylindrical, Radial-lead, Heteropolarity, with mounting flange.
- Commingled by Electrolytic Tantalum Capacitor and Electrochemical Capacitor, Small size, Super Capacitance
- Stable in Electrical Performances, High Reliability, Long life-span, Maximum in the Density of Capacitance and Energy, small size
- Built-in as battery in Energy-converted-circuit & Power-pulsed-circuit, functioned as filtering, storage energy, time-delay circuit.

SPECIFICATIONS

| | |
|-----------------------|--|
| Operating Temperature | -55°C to +125°C (to +125°C, with rated voltage derating) |
| Storage Temperature | -62°C ~ +130°C |
| Capacitance Tolerance | Q: (-10%~+30%), K: (±10%), M: (±20%) |

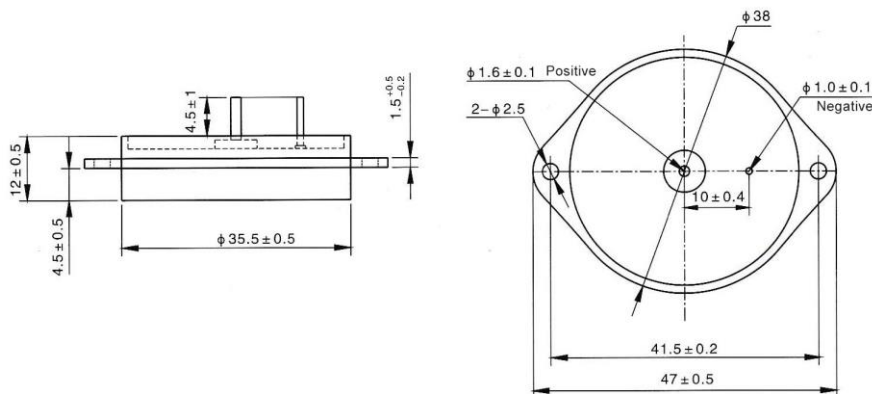


Electrical Characteristics

| Rated Voltage (V) | Category Voltage (V) | Surge Voltage (V) | Cap. (µF) | tgδ (%) | ESR (Ω) 1kHz | DCL (µA) | | | Impedance at (Ω) 100Hz | Capacitance Change at (%) | |
|-------------------|----------------------|-------------------|----------------|----------|---------------|------------|-------------|-----|------------------------|---------------------------|------|
| | | | | | | 25°C | 85°C, 125°C | | | -55°C | 85°C |
| 10 | 6 | 11 | 100000 | 180 | 0.035 | 300 | 1800 | 1 | -80 | +160 | |
| 16 | 9.5 | 17.6 | 60000 | 165 | 0.035 | 300 | 1800 | 1 | -80 | +160 | |
| 25 | 15 | 27.5 | 36000 | 130 | 0.04 | 300 | 1800 | 1 | -75 | +160 | |
| 35 | 20 | 38.5 | 24000 | 95 | 0.04 | 300 | 1800 | 1 | -70 | +160 | |
| 50 | 30 | 55 | 12000 16000 | 65 70 | 0.10 0.04 | 300 400 | 2400 | 1.2 | -60 -55 | +120 +135 | |
| 63 | 38 | 70 | 8000 | 50 | 0.04 | 400 | 2400 | 1.4 | -45 | +90 | |
| 80 | 48 | 88 | 5600 | 40 | 0.06 | 500 | 3000 | 1.6 | -40 | +90 | |
| 100 | 60 | 110 | 2400 3800 | 35 | 0.08 0.05 | 500 | 3000 | 1.8 | -30 | +80 | |
| 110 | 66 | 121 | 1200 | 35 | 0.08 | 500 | 3000 | 2 | -25 | +60 | |
| 125 | 75 | 138 | 1100 2200 | 30 | 0.08 0.075 | 500 | 3000 | 2.4 | -25 | +50 | |

Dimensions (unit: mm)

Φ35.5x12 Layout



Note:

1. Please do not use multimeter through the measuring procedures (may cause irreversible damage and lead to discard).
2. Capacitance and DF measured at 100Hz, $U_{-}=2.20^{0}_{-1.0}V$, $U_{+}=1.0^{0}_{-0.5}V$ Test only applied in series equivalent circuit.
3. Voltage derating is applied at +125°C. (The DCL parameter should be read after 5 minutes when it connected to the circuit).
4. Special size and demand could consult with us.

Note: Specifications are subject to change without notice. For more details and updates, please visit our website.