

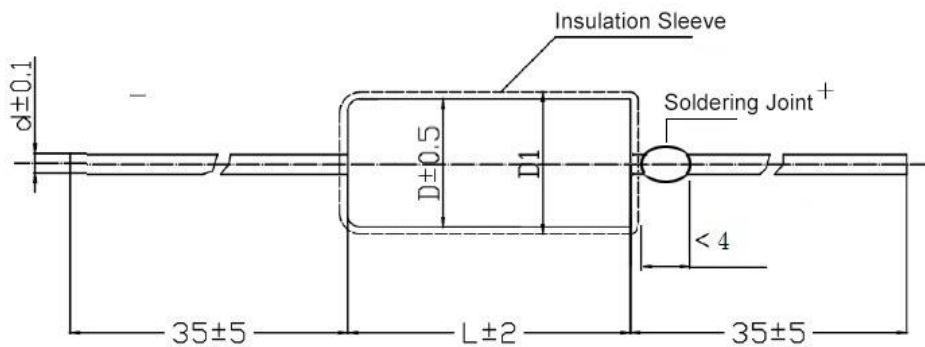
TS2602

FEATURES

- Silver case encapsulation, Hermitically-sealed, Tubular, Axial-lead, With insulation sleeve, Heteropolarity
- Stable in Electrical Characteristics, High reliability, Low DF & DCL
- Applying in Telecommunications, such Electrical Equipments with DC & impulse Circuit.

SPECIFICATIONS

Technical Data	All technical data relate to an ambient temperature of +25°C
Capacitance Tolerance	±20%, ±10%,
Temperature Range	-55 °C to +125 °C
DC Leakage	$I_0 \leq 0.008CR \text{ UR } (\mu\text{A})$ or $1\mu\text{A}$ (which is greater)



DIMENSIONS

Case Code	Uninsulated		With Insulated Sleeve	
	D±0.5 (mm)	L±2 (mm)	D1 max (mm)	L max (mm)
A	5	10	5.8	12
B		14	5.8	16
C	6	16	6.8	18
D	8	16	8.8	24
E	8	22	8.8	18
F	10	22	10.8	24
G	10	25	10.8	27

TS2602

STANDARD RATINGS

Rated Voltage	Category Voltage	Case Code	Cap @100Hz	Max. DF @+25 °C ~ +125 °C 100Hz	Max. ESR @-55 °C 100Hz	Rated Voltage	Category Voltage	Case Code	Cap @100Hz	Max. DF @+25 °C ~ +125 °C 100Hz	Max. ESR @-55 °C 100Hz
V	V		μF	%	μΩ	V	V		μF	%	μΩ
6.3	4	A	22	6	130	40	25	A	4.7	4.5	450
		A	33	8	100			A	6.8	4.5	350
		A	47	12	80			A	10	4.5	260
		A	68	15	60			A	15	7	175
		B	100	15	55			B	22	7	130
		B	150	20	50			B	33	8	90
		C	220	25	45			C	47	8	65
		C	330	30	40			C	68	10	55
		D	470	40	35			D	100	12	40
		D	680	45	30			E	150	15	35
		E	1000	50	25			F	220	20	30
		F	1200	55	25			G	330	25	25
		G	1500	70	20			A	2.2	4	1100
10	6.3	A	15	6	180	63	40	A	3.3	4.5	700
		A	22	6	130			A	4.7	5	500
		A	33	10	110			A	6.8	5	350
		A	47	12	90			B	10	8	260
		B	68	12	75			B	15	8	150
		B	100	12	50			C	22	8	120
		C	150	18	45			C	33	10	85
		C	220	25	40			D	47	10	70
		D	330	30	35			D	68	10	55
		D	470	35	30			E	100	12	50
		E	680	40	25			F	150	15	40
		F	1000	50	20			G	220	20	35
		G						G	330	30	22
16	10	A	10	5.7	200	100	63	A	1.5	5	1400
		A	15	5.7	155			A	2.2	5	1100
		A	22	6	130			A	3.3	6	700
		A	33	8	90			A	4.7	6	500
		B	47	10	80			B	6.8	8	350
		B	68	16	75			B	10	10	260
		C	100	18	60			C	15	10	160
		C	150	18	50			C	22	10	110
		D	220	18	45			D	33	12	110
		D	330	30	40			E	47	12	65
		E	470	35	35			F	68	12	50
		E	680	45	30			F	100	12	40
		F						G	100	12	40
25	16	A	6.8	4.6	300	125	75	A	1	6	1800
		A	10	4.6	220			A	1.5	6	1400
		A	15	6.5	175			A	2.2	6	1100
		A	22	8.3	130			A	3.3	6	700
		B	33	9	100			B	4.7	6	500
		B	47	9	70			B	6.8	8	350
		C	68	9	60			C	10	9	260
		C	100	12	50			C	15	9	160
		D	150	14	45			D	22	9	130
		D	220	15	45			E	33	10	100
		E	330	20	35			F	47	10	70
		E	470	30	30			F	68	10	70
		F	680	45	25			G	68	10	50
G				G							

Note:

- Please do not use multimeter through the measuring procedures.
- Capacitance and DF measured at 100Hz, $U_{-}=2.20^{0}_{-1.0}V$, $U_{+}=1.0^{0}_{-0.5}V$, Frequency=100Hz. Test only applied in series equivalent circuit.
- Voltage derating is applied at +85 °C. (The DCL parameter should be read after 5 minutes when it connected to the circuit).
- Special size and demand could consult with us.

Note: Specifications are subject to change without notice. For more detail and update, please visit our website.