

ALUMINUM ELECTROLYTIC CAPACITOR

105°C, 5MM HEIGHT

Suntan®

DISCONTINUED

FEATURES

- Load life of 1000 hours at 105°C
- 5mm height at case dia, 4-6.3mm

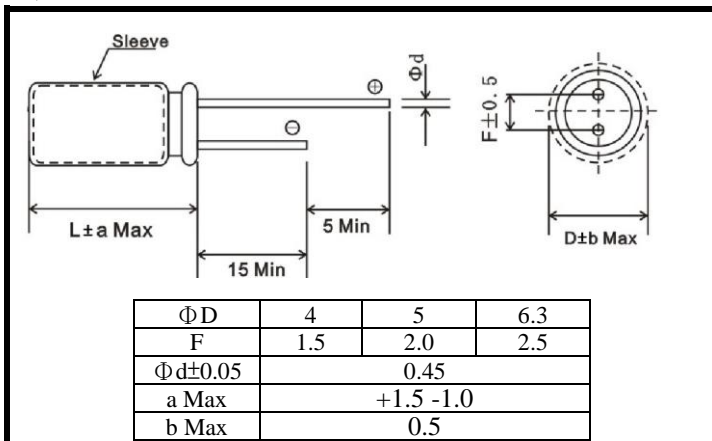
TS13D CD50H



◆ Specifications

ITEMS	PERFORMANCE CHARACTERISTICS																							
Temperature Range(°C)	-40~+105																							
Leakage Current(μA)	Less than 0.01CV or 3 whichever is larger (at 25°C, after 2 minutes) C: Capacitance(μF), V: Voltage(V)																							
Capacitance Tolerance (25°C, 120Hz)	±20%																							
Dissipation Factor (25°C, 120Hz)	<table border="1"> <tr> <td>Rated voltage(V)</td> <td>6.3</td> <td>10</td> <td>16</td> <td>25</td> <td>35</td> <td>50</td> </tr> <tr> <td>Tan δ</td> <td>0.28</td> <td>0.24</td> <td>0.20</td> <td>0.14</td> <td>0.12</td> <td>0.10</td> </tr> </table>	Rated voltage(V)	6.3	10	16	25	35	50	Tan δ	0.28	0.24	0.20	0.14	0.12	0.10									
	Rated voltage(V)	6.3	10	16	25	35	50																	
Tan δ	0.28	0.24	0.20	0.14	0.12	0.10																		
Temperature Stability (120Hz)	<table border="1"> <tr> <td colspan="2">Rated Voltage(V)</td> <td>6.3</td> <td>10</td> <td>16</td> <td>25</td> <td>35</td> <td>50</td> </tr> <tr> <td rowspan="2">Impedance ratio</td> <td>Z-25°C/Z+20°C</td> <td colspan="2">3</td> <td colspan="4">2</td> </tr> <tr> <td>Z-40°C/Z+20°C</td> <td>8</td> <td>5</td> <td>4</td> <td colspan="3">3</td> </tr> </table>	Rated Voltage(V)		6.3	10	16	25	35	50	Impedance ratio	Z-25°C/Z+20°C	3		2				Z-40°C/Z+20°C	8	5	4	3		
	Rated Voltage(V)		6.3	10	16	25	35	50																
Impedance ratio	Z-25°C/Z+20°C	3		2																				
	Z-40°C/Z+20°C	8	5	4	3																			
Load Life (+105°C)	Time	1000 hours																						
	Leakage current	Initial specified value or less																						
	Capacitance change	Within±20% of initial value																						
	Dissipation factor	200% or less of initial specified value																						
Shelf Life (+105°C)	Test time 500hours, Others have same as load life Pretreatment performed																							

◆ Dimensions



mm

◆ Multiplier for ripple current

Frequency coefficient

Freq(Hz)	50,60	120	1K	10K~100K
Rated voltage(v)				
6.3~16	0.64	0.80	0.92	1.0
25~35	0.57	0.71	0.89	1.0
50	0.53	0.67	0.90	1.0

Temperature coefficient

Temperature (°C)	+70 or less	+85	+105
Factor	2.1	1.8	1

◆ Standard ratings

WV(v)	6.3		10		16		25		35		50	
	Size(mm) ΦDxL	Ripple mArms	Size(mm) ΦDxL	Ripple mArms	Size(mm) ΦDxL	Ripple mArms	Size(mm) ΦDxL	Ripple mArms	Size(mm) ΦDxL	Ripple mArms	Size(mm) ΦDxL	Ripple mArms
0.1	--	--	--	--	--	--	--	--	--	--	4x5	3
0.22	--	--	--	--	--	--	--	--	--	--	4x5	5
0.33	--	--	--	--	--	--	--	--	--	--	4x5	6
0.47	--	--	--	--	--	--	--	--	--	--	4x5	8
1	--	--	--	--	--	--	--	--	--	--	4x5	11
2.2	--	--	--	--	--	--	--	--	--	--	4x5	17
3.3	--	--	--	--	--	--	--	--	4x5	17	4x5	20
4.7	--	--	--	--	4x5	15	4x5	18	4x5	20	5x5	27
10	--	--	4x5	20	4x5	23	5x5	31	5x5	34	6.3x5	45
22	4x5	26	5x5	34	5x5	38	6.3x5	53	6.3x5	57	--	--
33	5x5	33	5x5	43	6.3x5	56	6.3x5	66	--	--	--	--
47	5x5	45	6.3x5	58	6.3x5	65	--	--	--	--	--	--
100	6.3x5	78	--	--	--	--	--	--	--	--	--	--

Ripple Current: 105°C, 100KHz

Note: Specification are subject to change without notice. For more detail and update, please visit our website.