

TS12-01

FEATURES

- Standard coin-type
- Small-sized, large capacity



Terminal shaped: H

Terminal shaped: V

Terminal shaped: C

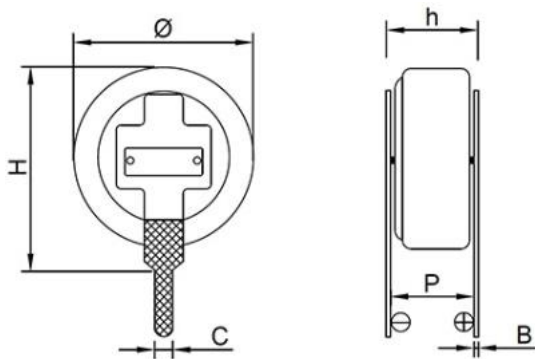
APPLICATIONS

- RAM, Detonator, car recorder, smart meter, vacuum switch, digital camera, motor drive, clock circuit, UPS, toy, program-controlled switch, etc.

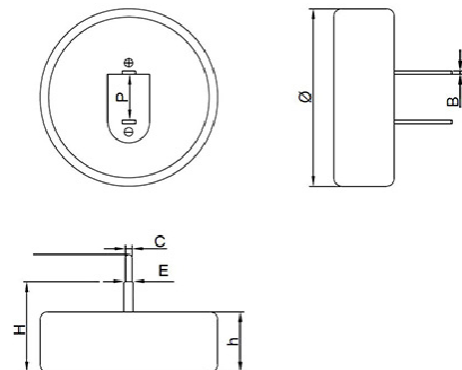
SPECIFICATIONS	
Series name	TS12-01 Series
Rated voltage V_R	5.5V
Surge voltage	5.8V
Capacity range	0.1F~1.5F
Operating temperature range	-25~ +70°C
Product life	Normal temperature cycle life : 25°C , 500,000 cycles between V_R and $1/2V_R$, Capacity attenuation $\leq 30\%$, ESR change ≤ 4 times.
	High temperature endurance life : 70°C ,maintain V_R , 1000 hours. Capacity attenuation $\leq 30\%$, ESR change ≤ 4 times.

DIMENSIONS (mm)

V Type



C Type



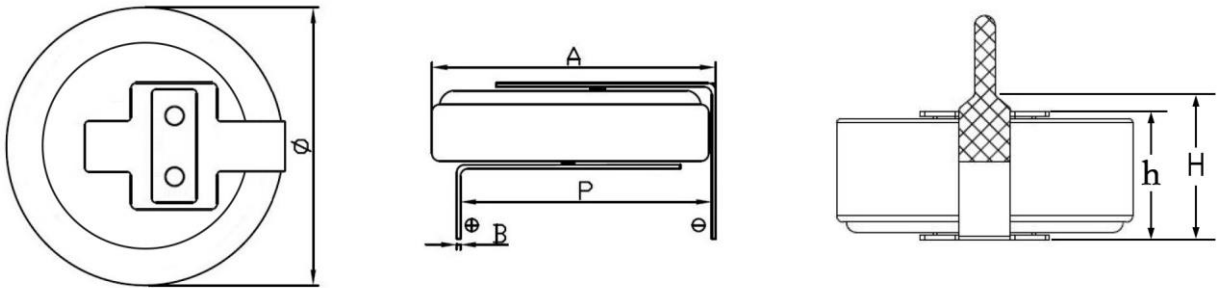
Note: Specification are subject to change without notice. For more detail and update, please visit our website.

TS12-01

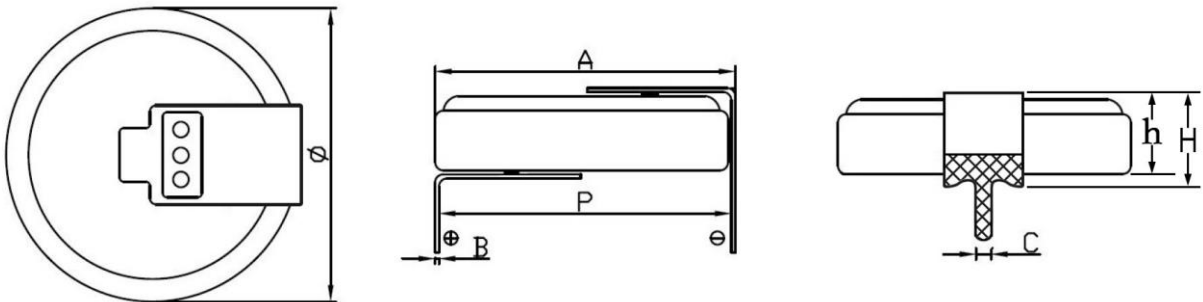
DIMENSIONS (mm)

H Type

0.1F~0.47F:



1F~1.5F:

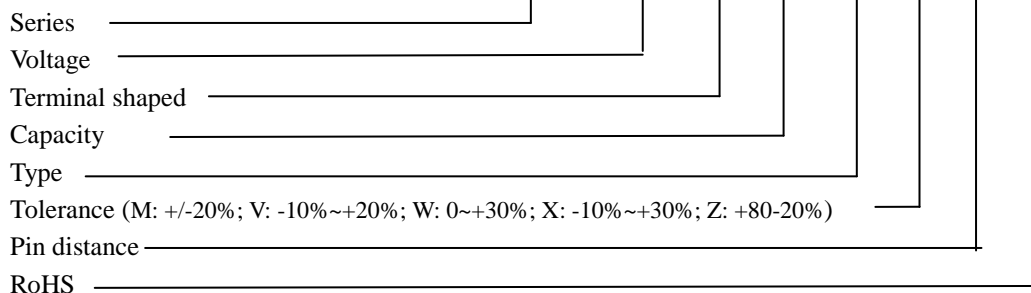


Note: Specification are subject to change without notice. For more detail and update, please visit our website.

TS12-01

HOW TO ORDER

TS12-01 - 5R5 - C - 104 - D - W - B - R



STANDARD RATINGS

Model	Terminal shaped	Capacity F	ESRΩ		Product size (+/-0.5mm)							
			DC	AC	Φ	H	h	P	A	E	B	C
TS12-01-5R5-C104DWBR	C	0.1	100	50	13.0	9.9	7.0	5.0	--	1.2	0.5	0.8
TS12-01-5R5-H104DWBR	H	0.1	100	50	11.5	5.49	4.5	10.0	12.0	--	0.2	0.8
TS12-01-5R5-V104DWBR	V	0.1	100	50	11.5	13.15	5.0	5.0	--	--	0.2	0.8
TS12-01-5R5-C224DWBR	C	0.22	80	40	13.0	9.9	7.0	5.0	--	1.2	0.5	0.8
TS12-01-5R5-H224DWBR	H	0.22	80	40	11.5	5.49	5.0	10.0	12.0	--	0.2	0.8
TS12-01-5R5-V224DWBR	V	0.22	80	50	11.5	13.15	5.0	5.0	--	--	0.2	0.8
TS12-01-5R5-C334DWBR	C	0.33	80	40	13.0	9.9	7.0	5.0	--	1.2	0.5	0.8
TS12-01-5R5-H334DWBR	H	0.33	80	40	11.5	5.49	5.0	10.0	12.0	--	0.2	0.8
TS12-01-5R5-V334DWBR	V	0.33	80	40	11.5	13.15	5.0	5.0	--	--	0.2	0.8
TS12-01-5R5-C474DWBR	C	0.47	80	40	20.5	9.9	7.0	5.0	--	1.2	0.5	0.8
TS12-01-5R5-H474DWBR	H	0.47	80	40	11.5	5.49	5.0	10.0	12.0	--	0.2	0.8
TS12-01-5R5-V474DWBR	V	0.47	80	40	11.5	13.15	5.0	5.0	--	--	0.2	0.8
TS12-01-5R5-C105DWBR	C	1	30	15	20.5	9.9	7.0	5.0	--	1.2	0.5	0.8
TS12-01-5R5-H105DWBR	H	1	30	15	19.0	5.62	5.0	19.0	19.5	--	0.2	1.0
TS12-01-5R5-V105DWBR	V	1	30	15	19.0	19.31	5.0	4.5	--	--	0.2	1.0
TS12-01-5R5-C155DWBR	C	1.5	20	10	20.5	9.9	7.0	5.0	--	1.2	0.5	0.8
TS12-01-5R5-H155DWBR	H	1.5	20	10	19.0	5.62	5.0	19.0	19.5	--	0.2	1.0
TS12-01-5R5-V155DWBR	V	1.5	20	10	19.0	19.31	5.0	4.5	--	--	0.2	1.0

Note: Specification are subject to change without notice. For more detail and update, please visit our website.