

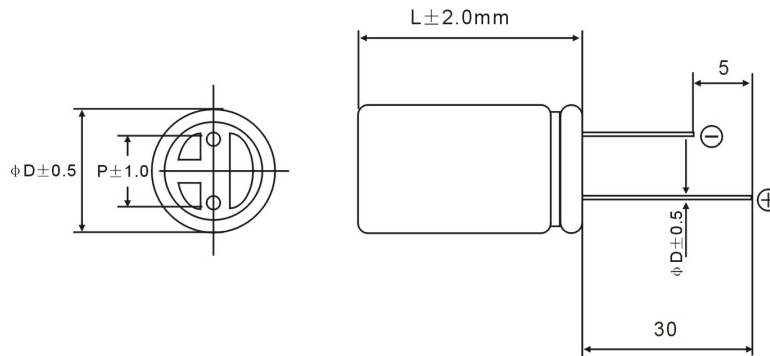
TS12S-M

FEATURES

Radial & Snap-in type
large capacity, VENT case.



SPECIFICATIONS	
Operating temperature	-25 to +70°C
Rated voltage	2.5VDC
Surge voltage	3.0VDC
Capacitance tolerance	-20% to +80%
Characteristics at Temperature	+70°C $\Delta C/C$ $\leq 30\%$, ESR $\leq 100\%$ time of specified value at 25°C -25°C $\Delta C/C$ $\leq 50\%$, ESR $\leq 400\%$ time of specified value at 25°C
High Temperature load	After 1000 hours storage at +70°C ± 2 at 5.5V , $\Delta C/C$ $\leq 30\%$ of the initial measured value, ESR $\leq 200\%$ of the initial specified value
Humidity Resistance	After +40°C ± 2 , 90~95%RH , 240 hour $\Delta C/C$ $\leq 30\%$ of the initial measured value, IL $\leq 200\%$ of the initial specified value, ESR ≤ 4 time of the initial specified value



Part Number	Rated Capacitance	Operating Voltage	ESR 1HKZ (MΩ)	Size (ØD ± 0.5 mm * L ± 1.0 ,mm)	P \pm 1.0(mm)	Ø d (mm)
TS12S-M-2R5-704	0.7F	2.5V	800	Ø8x13	3.5	0.6
TS12S-M-2R5-104	1.0F	2.5V	600	Ø8x13	3.5	0.6
TS12S-M-2R5-205	2.0F	2.5V	300	Ø10x20	4.5	0.6
TS12S-M-2R5-305	3.0F	2.5V	200	Ø8x20	3.5	0.6
TS12S-M-2R5-335	3.3F	2.5V	200	Ø10x20	4.5	0.6
TS12S-M-2R5-475	4.7F	2.5V	150	Ø13x21	4.5	0.6
TS12S-M-2R5-805	8.0F	2.5V	100	Ø13x21	4.5	0.6

Can make up to 2.7V, please send us e-mail if you have any special request.

Note: Specification are subject to change without notice. For more detail and update, please visit our website.