

MICROWAVE OVENS CAPACITOR-CH85

Suntan®

HIGH VOLTAGE CAPACITOR FOR MICROWAVE OVENS

TS11-30

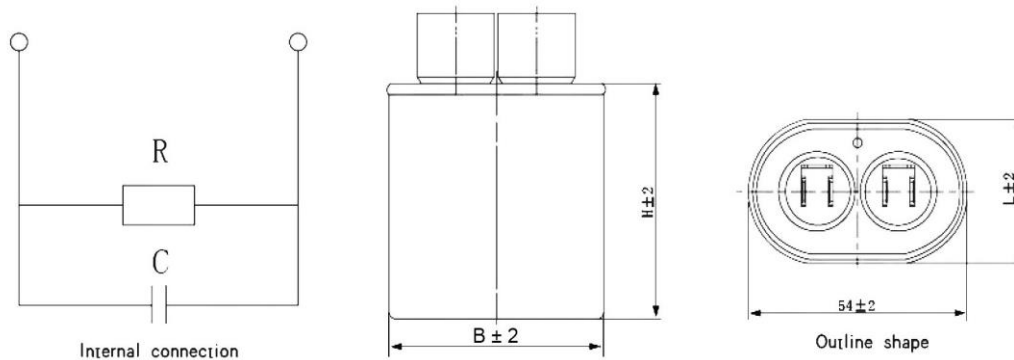
FEATURES

- The capacitor is applied in industry and Microwave Ovens etc. The product is composite dielectric structure by oil immersion.
- The capacitor has advantage of good heat dissipation, high pressure value, small dimension, small dielectric loss, high capacity precision. And it can be work stably with high voltage for long time, it is safe and reliable.



SPECIFICATIONS	
AMBIENT TEMP.	-10°C ~ +85°C
RATED VOLTAGE	≤3000VAC
RANGE OF CAPACITANCE	0.5µF~1.4µF
TESTING VOLTAGE	T-T: DC4.3Un*1.05/10S (VAC) T-C: AC 10000V/60S (VAC)
FREQUENCY	50HZ-60HZ
DISCHARGE RESISTANCE	10+/-20%MΩ

Outline Drawings



Executing Standards : IEC61270-1, GB/T18939.1.

Capacitance Tolerance : ±3%, ±4% or fulfilled upon request.

Dimensions (mm)

CAP µF	2100VAC		
	L	B	H
0.65	32.5	52.5	60
0.68	32.5	52.5	60
0.70	32.5	52.5	60
0.75	32.5	52.5	60
0.78	32.5	52.5	60
0.80	32.5	52.5	65
0.85	32.5	52.5	65
0.90	32.5	52.5	65
0.95	32.5	52.5	70
0.98	32.5	52.5	70
1.00	32.5	52.5	70
1.05	32.5	52.5	75
1.10	32.5	52.5	75
1.15	32.5	52.5	80
1.20	32.5	52.5	80
1.30	32.5	52.5	85
1.40	32.5	52.5	90

Please visit our website to get more update data, those data & specification are subject to change without notice.