

Single-Turn Trimming Potentiometer – 3313

TSR-3313



FEATURES

- Surface Mount 3mm Square Single-Turn Cermet
- Small in size

Electrical Characteristics	
Standard Resistance Range	10Ω - 2MΩ
Resistance Tolerance	±20% std.
End Resistance	1% or 2Ω max. (whichever is larger)
Contact Resistance Variation	3% or 3Ω
Adjustability Voltage Divider	±0.1%
Adjustability Rheostat	±0.2%
Insulation Resistance	500 VDC, 100 megohms min.
Dielectric Strength Sea Level	500 VAC
Adjustment Angle	220° nom

Environmental Characteristics	
Max. Soldering Exposure	250°C/10 seconds
Power Rating (200 volts max.)	70°C 0.125 watt / 125°C 0 watt
Operating Temp. Range	-55°C ~ +125°C
Temperature Coefficient	≤100 ohms ±150ppm/°C >100 ohms ±100ppm/°C
Humidity	MIL-STD 202, Method 106 (no vibration) TRS±3%; IR 10megohms
Vibration	20G TRS±1%; VRS±1%
Shock	100G TRS±1%; VRS±1%
Load Life	1000 hours @ 70°C Rated Power; TRS±3%
Rotational Life	100 cycles TRS±3%

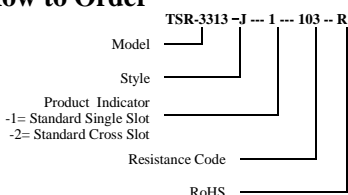
Physical Characteristics	
Mechanical Angle	250° nom
Torque	50 g-cm max.
Stop Torque	200 g-cm mix.
Wiper	50% (Actual TR)±10%
Standard Packaging	1000pcs, per tape reel

Resistance Table

Resistance(Ohms)	Resistance Code	Resistance(Ohms)	Resistance Code
10	100	10,000	103
20	200	20,000	203
50	500	50,000	503
100	101	100,000	104
200	201	200,000	204
500	501	500,000	504
1,000	102	1,000,000	105
2,000	202	2,000,000	205
5,000	502		

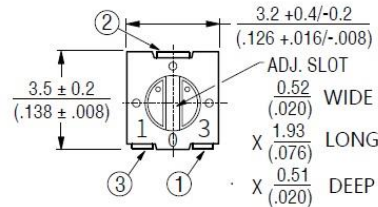
Special resistances available.

How to Order

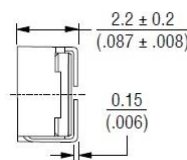
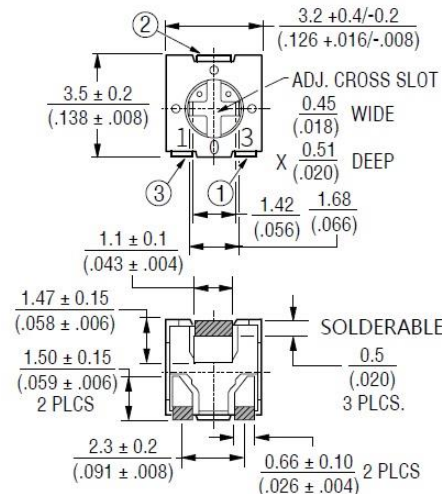


Common Dimensions (mm)

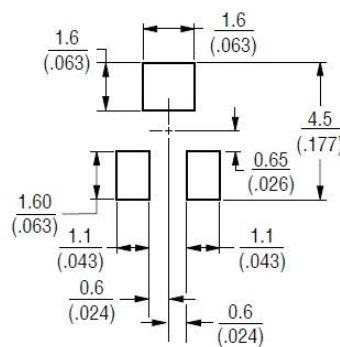
TSR-3313J-1



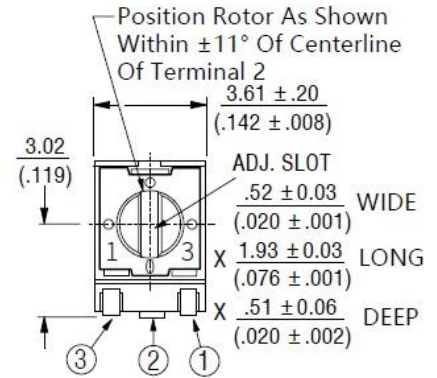
TSR-3313J-2



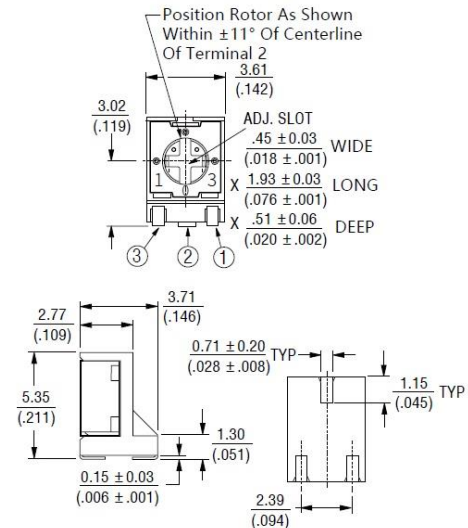
RECOMMENDED LAND PATTERN



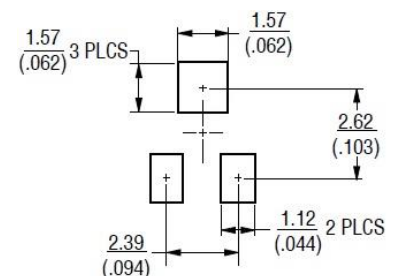
TSR-3313S-1



TSR-3313S-2



RECOMMENDED LAND PATTERN



Dimensions: MM
(INCHES)

Tolerances: ±0.30 except where noted
(±012)

Note: Specifications are subject to change without notice. For more detail and update, please visit our website.