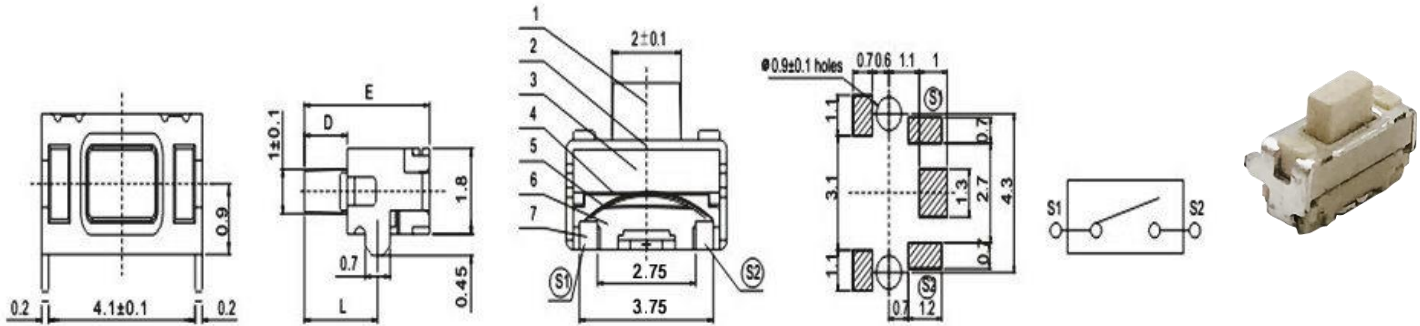


TACT SWITCH

Suntan®

TSS-TD-2428



General Tolerance: $\pm 0.2\text{mm}$

MODEL NO	H (mm)	Tape & Reel Option	CODE	OPERATING FORCE (gf)
TSS-TD-2428	2.8	Yes	X	160±50
TSS-TD-2435	3.5	Yes	B	260±50

SPECIFICATIONS

1. RATING: DC 12V / 50mA
2. TRAVEL: $0.2\pm 0.1\text{mm}$
3. CONTACT RESISTANCE: $\leq 50\text{m}\Omega$
4. LIFE: More than 100,000 times
5. INSULATION RESISTANCE: $\geq 100\text{M}\Omega$
6. VOLTAGE PROOF: 250V AC / 1min

Note: Specification are subject to change without notice. For more detail and update, please visit our website.

Suntan® Technology Company Limited Website: www.suntan.com.hk Email: info@suntan.com.hk Tel: (852) 8202 8782 Fax: (852) 8208 6246